



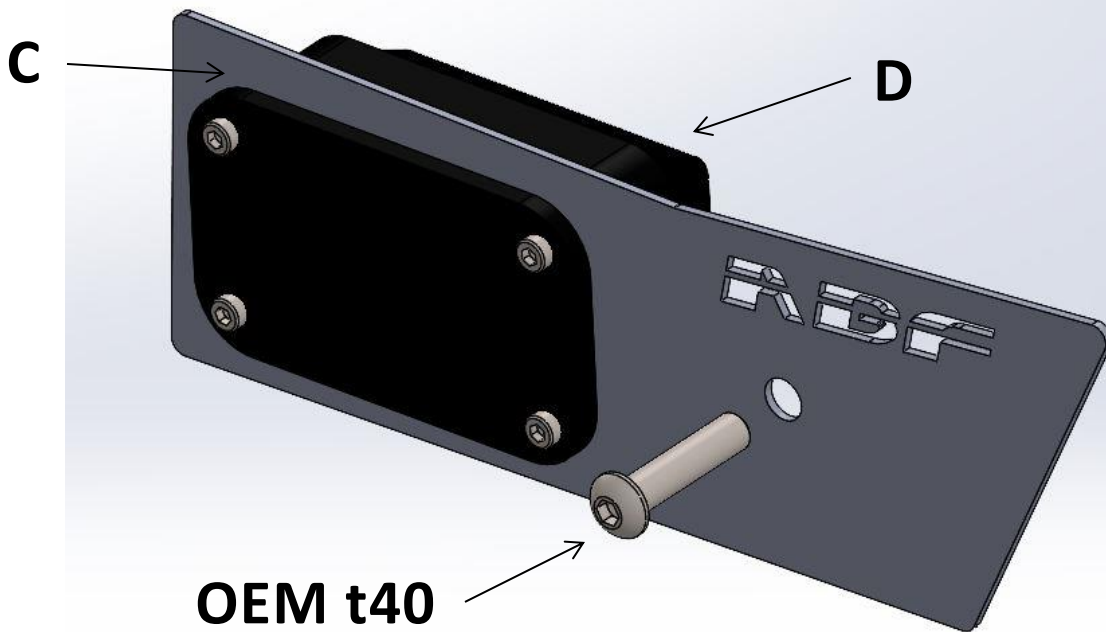
1401 S. Broadway Suite 103A | Joshua, TX 76058

INSTALLATION INSTRUCTIONS

Pro R Rear Side Shooter Light Kit.

→ Read Instructions entirely, and view illustrations before beginning. ←

ITEM	DESCRIPTION	QTY
A	ALUMINUM CUT PATTERN FOR REAR FASCIA. PPR-1405A-CUTPATT	1
B	DRIVER LIGHT MOUNT PPR-1405A-D	1
C	PASSENGER LIGHT MOUNT PPR-1405A-P	1
D	BAJA DESIGNS S2 SPORT LIGHT	2



OEM t40

Have questions or comments?

 817-366-6110
  817-366-6110
 INFO@ABFFABRICATION.COM

LIABILITY STATEMENT

ABF Fabrication accessories are engineered to best fit customer ATV/UTV's in stock condition. cutting, grinding, or modifying any original, or aftermarket, accessories will void any warranty offered by ABF fabrication and is not suggested. ABF Fabrication accessories could have fitment issues with other aftermarket accessories. If Customer has aftermarket accessories on vehicle, contact ABF Fabrication to ensure that all accessories will be compatible.

Customer should be aware that installing suspension accessories, wheels and tires, axles or other components may change the behavior of the vehicle and may require more frequent maintenance and part wear. Operating any off-road vehicle while, or after, consuming alcohol and/or drugs increases risk of bodily harm or death. No warranty or representation is made as to this accessories ability to protect customer from severe injury or death. ABF Fabrication urges operators and passengers to always wear a helmet and appropriate riding gear.

By purchasing and installing ABF Fabrication accessories, customer agrees that should any damages occur, ABF Fabrication will not be held responsible for repair fees, replacement parts, and shipping costs. ABF Fabrication, nor any 3rd party, will not be held responsible for any direct, indirect, incidental, special, or consequential damages that result from any accessories purchased from ABF Fabrication. The total liability of ABF Fabrication to customer for all damages, losses, and causes of action, if any, is not to exceed the total purchase price paid for the accessories that gave rise to the claim.

ABF Fabrication will warranty only accessories purchased from ABF Fabrication. Any damages or issues arising with OEM parts or other manufacturers accessories will not be covered by ABF Fabrication. ABF Fabrication accessories are not warranted if accessory was installed incorrectly, misused, or changed in any way.

Thank You for Sharing



[FACEBOOK.com/ABFfabrication](https://www.facebook.com/ABFfabrication)



Assembly

1. Remove the faceplate from the S2 light and install the light into the side shooter bracket. Install the light as follows: Faceplate then Bracket then s2 light. **FIG 1**

Installation

1. Position the Cut Pattern (A) on the rear fascia, and attach using the OEM T40 bolt. Then cut the hole in the rear fascia. (We use a sharp razor knife.) Use cut pattern for passenger and driver sides. **FIG 2**
2. Remove Cut pattern panel and mount the passenger and driver side shooter light assembly using the OEM T40 bolt. (Be sure to pass the light wire through the hole you cut in the fascia. **FIG 3**
3. **Proceed with wiring.** Following recommended Baja Designs instructions.

